



# WHEEL & SUSPENSION MEASURING GUIDE

Please fill out all information on both sides of this sheet completely and fax to Billet Specialties. A Billet Specialties sales representative will contact you.

Fax To: Billet Specialties, Inc.

## 1 (708) 588-7181

Name: \_\_\_\_\_

Address: \_\_\_\_\_  
\_\_\_\_\_

City: \_\_\_\_\_ State \_\_\_\_\_ Zip \_\_\_\_\_

Daytime Phone: \_\_\_\_\_

Fax: \_\_\_\_\_

**ATTN:** \_\_\_\_\_ Billet Specialties Sales Representative

Tech Line: 1 (708) 588-0505

### VEHICLE INFORMATION

Year \_\_\_\_\_  2WD  4WD

Make \_\_\_\_\_

Model \_\_\_\_\_

### FRONT SUSPENSION

Factory  Aftermarket

Manufacturer \_\_\_\_\_

Modifications \_\_\_\_\_  
\_\_\_\_\_  
\_\_\_\_\_

Disc  Drum  
Brakes  Factory Brakes  Performance Brakes

Manufacturer \_\_\_\_\_

Template Number \_\_\_\_\_

### REAR SUSPENSION

Factory  Aftermarket

Manufacturer \_\_\_\_\_

Modifications \_\_\_\_\_  
\_\_\_\_\_  
\_\_\_\_\_

Disc  Drum  
Brakes  Factory Brakes  Performance Brakes

Manufacturer \_\_\_\_\_

Template Number \_\_\_\_\_

### NEW WHEEL INFORMATION

Wheel Style \_\_\_\_\_

### FRONT WHEELS

Size \_\_\_\_\_

Bolt Circle \_\_\_\_\_

Stud Size \_\_\_\_\_

### REAR WHEELS

Size \_\_\_\_\_

Bolt Circle \_\_\_\_\_

Stud Size \_\_\_\_\_

### AVAILABLE OPTIONS

Polished Backside Of Barrel (\$50.00/wheel)

Lug Nuts (Call for price)

Chrome Valve Stems (\$8.95/4-pack)

Mothers® BILLET aluminum polish 4oz. (\$13.00 ea.)



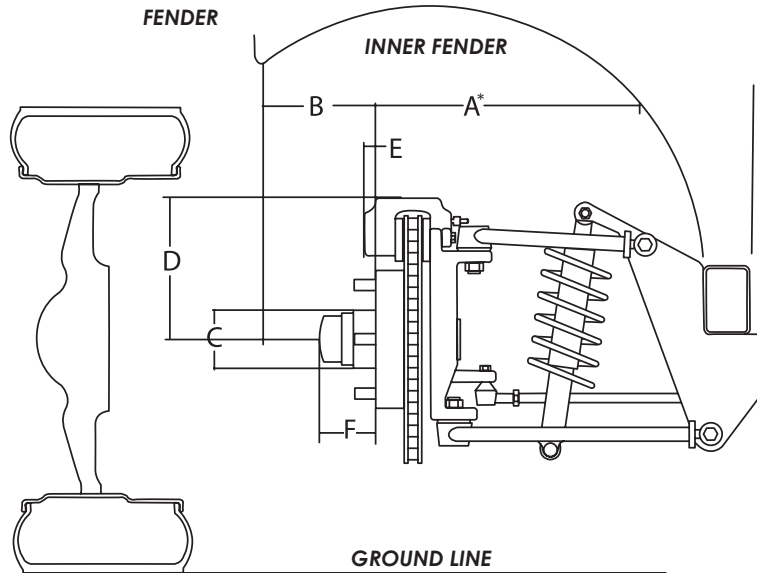
# WHEEL & SUSPENSION MEASURING GUIDE

Fax To: Billet Specialties, Inc.

**1 (708) 588-7181**

## FRONT WHEEL SECTION

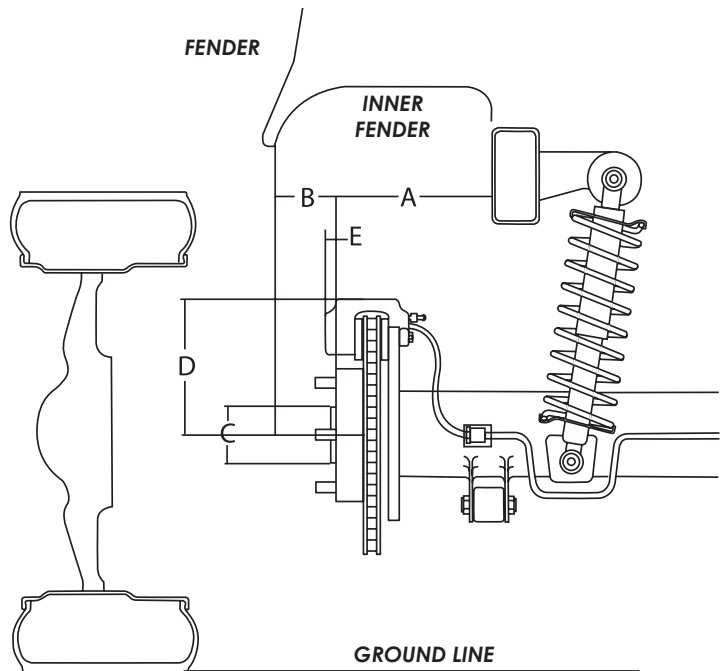
	Driver Side	Passenger Side
A Mounting surface to first obstruction frame side*	_____	_____
B Mounting surface to inside fender	_____	_____
C Hub Diameter	_____	_____
D Brake Diameter: Center to top of caliper x 2	_____	_____
E Protrusion of caliper past mounting surface	_____	_____
F Hub Length	_____	_____
Fender Height From Center Of Hub _____		
Current Wheel Size _____ Backspace _____		
Bolt Pattern _____		
Current Tire Size _____		



\*First obstruction that wheel and tire may come in contact with

## REAR WHEEL SECTION

	Driver Side	Passenger Side
A Mounting surface to first obstruction frame side*	_____	_____
B Mounting surface to inside fender	_____	_____
C Hub Diameter	_____	_____
D Brake Diameter: Center to top of caliper x 2	_____	_____
E Protrusion of caliper past mounting surface	_____	_____
Fender Height From Center Of Hub _____		
Current Wheel Size _____ Backspace _____		
Bolt Pattern _____		
Current Tire Size _____		



**Wheel fitments derived from this form are based on your measurements and are strictly suggested sizes. It is important that you review all fitment information before ordering your wheels. Billet Specialties is not responsible for errors in special order fitments.**

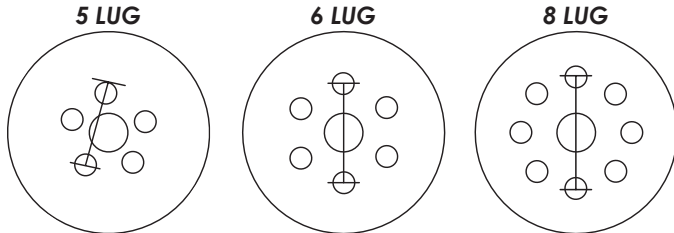
# Wheel Measuring Information

The following information can be used to gather measurements to ensure a proper fit for most applications.

## TORQUE SPECIFICATIONS

Stud Size	Torque Rating	Stud Size	Torque Rating
7/16"	70-80 ft.lbs.	10mm	45-55 ft.lbs.
1/2"	75-85 ft.lbs.	12mm	75-85 ft.lbs.
9/16"	100-115 ft.lbs.	14mm	85-95 ft.lbs.
5/8"	125-135 ft.lbs.	16mm	125-150 ft.lbs.

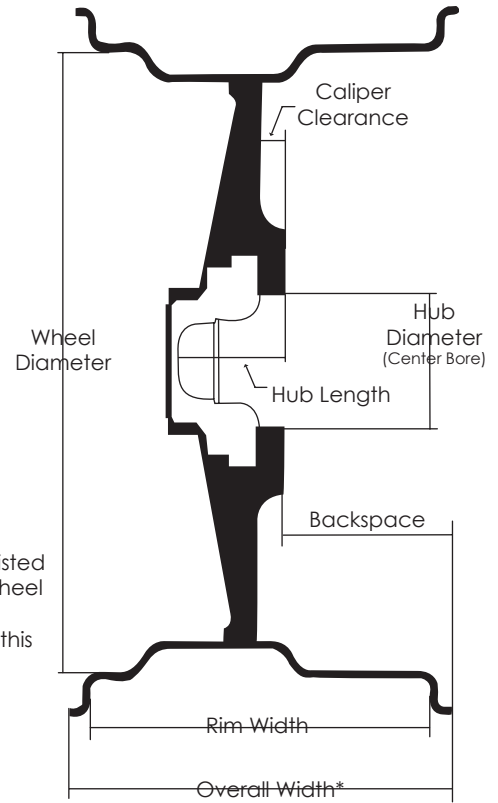
## MEASURING BOLT PATTERN



From back side of the top stud to the center of the second stud.

From center of the top stud to center of the second stud directly across

**IMPORTANT:** Overall wheel width is 1" wider than the listed size. For example a 17x8 wheel actually measures 9" wide overall. You must consider this when fitting your vehicle.



# Return Policy & Procedures

For Accessories Purchased Directly From Billet Specialties, Inc.

## Pricing

All prices are subject to change without notice. Billet Specialties is not responsible for misprints. Prices shown do not include shipping and/or tax.

## ALL RETURNS MUST BE MADE WITHIN 90 DAYS OF PURCHASE. THERE ARE NO EXCEPTIONS.

All returned merchandise must have an RGA (Returned Goods Authorization) number assigned by Billet Specialties. All returns must be shipped freight prepaid. Any collect shipments or shipments without an RGA number will be refused. All returns are subject to a restocking charge of up to 25%. Product that has been damaged, painted or modified in any way will not be eligible for return under any circumstances.

When returning items, you must be sure to pack the items adequately to prevent shipping damage and include a copy of your invoice. We suggest you insure the returned part for its full value to protect yourself against loss.

## Warranty For Accessories

All Billet Specialties products are warranted to the original owner for one (1) year from date of purchase for defects in material and/or workmanship under normal and intended use. Billet Specialties, Inc. agrees to repair or replace Billet Specialties brand products, at the sole discretion of Billet Specialties, without charge, provided the problem(s) are the responsibility of Billet Specialties, Inc. Billet Specialties, Inc. is not responsible for finish problems due to neglect by customer. Product that has been damaged, painted, or modified in any way will not be eligible for return under any circumstances. Transfer of title of any Billet Specialties product by the original owner voids the warranty. Billet Specialties, Inc. is not responsible for damage to vehicle or labor cost incurred as a result of failure of warranted items. Billet Specialties warranty is limited to the purchase price of Billet Specialties brand product.

## Claims

Claims for damage, or manufacturing error must be made within (5) five business days from the receipt of shipment. Claims for damage as a result of carrier's negligence must be held at customer location pending disposition from carrier. Claims not made within this period will not be honored by Billet Specialties Inc. Claims for finish problems must be made prior to installing parts or mounting tires.

## Warranty For General Wheel Line

All Billet Specialties wheels are warranted to the original owner for three (3) years from date of purchase for defects in material and/or workmanship under normal and intended use. Billet Specialties agrees to repair or replace Billet Specialties brand wheels, at the sole discretion of Billet Specialties Inc. Billet Specialties is not responsible for finish problems due to neglect by the customer. Wheels that have been determined to have been damaged by a tire-mounting machine will be repaired at the customer's expense. Transfer of title of any Billet Specialties products by the original owner voids the warranty. Billet Specialties is not responsible for damage to vehicle or labor costs incurred as a result of failure of warranted items. Billet Specialties warranty is limited to the purchase price of the product. Product will only be inspected for warranty by Billet Specialties, Inc. Any wheel returned for warranty inspection must be accompanied by a copy of your receipt. **Warranty claims will not be approved until Billet Specialties, Inc. inspects the product.**

**Mounted wheels are not acceptable for return under any circumstance.**

**Do not mount tires with a sidewall height of more than 8" on a Billet Specialties wheel. Billet Specialties considers this application unsafe on a two-piece wheel. Warranty is void on wheels when the recommended tire size is exceeded.**

## Warranty For Comp Series Wheels

Racing is a dangerous and sometimes violent sport. Because of this fact, Billet Specialties Comp Series wheels have no structural or finish warranty expressed or implied. Billet Specialties Inc. warrants that all of its Billet Specialties Comp wheels & wheel components are free from defects in materials and workmanship for a period of 30 days from the date of original purchase. Billet Specialties is not responsible for damage to vehicle or labor costs incurred as a result of failure of warranted items. Billet Specialties warranty is limited to the purchase price of the product. For complete product warranty, limits and exclusions visit [www.billetpecialties.com](http://www.billetpecialties.com) and click on the Comp Series for details or call 1-866-317-5940 and we will fax it to you. A complete warranty card is shipped with each Comp Series wheel.

## Important

All defect returns will be reviewed by quality control personnel and any defects or damage not found to be the responsibility of Billet Specialties Inc. will be rejected and returned to the sender at their expense.

Defects in finish will not be warranted if:

1. Damage occurred during installation
2. Damage to finish is due to improper care, use of caustic materials for cleaning or neglect
3. The item was sold as a "second" or "blemished" product

# ORDERING PROCEDURES / TERMS & CONDITIONS

## PRICING

All prices in this book are subject to change without notice. Billet Specialties is not liable for misprints. Pricing should be confirmed at the time of order.

## FREIGHT POLICY

All shipments are F.O.B. La Grange, IL. All wheels are shipped via Federal Express or carrier chosen by Billet Specialties unless otherwise specified and agreed to by Billet Specialties. **Billet Specialties does not assume the responsibility for charges for next day air or 2nd day freight service under any circumstances.**

## CLAIMS

Claims for damage, shortage or manufacturing error must be made within (5) five business days from the receipt of shipment. Claims for damage as a result of carrier's negligence must be held at customer location pending disposition from carrier. Claims not made within this period will not be honored by Billet Specialties Inc. Claims for finish problems must be made prior to mounting tires.

## RETURN POLICY AND PROCEDURES

All returned merchandise must have an RGA (Return Goods Authorization) number assigned by Billet Specialties Inc. All returned items must be shipped freight prepaid. Any collect shipment or shipments without an RGA will be refused. All returns are subject to a restocking charge of up to 25%. **Mounted wheels are not acceptable for return under any circumstance.** Custom built wheels are not returnable. It is the responsibility of both the customer and the dealer to inspect quality and fit check their wheels for correct bolt pattern, caliper clearance and/or finish problems **before** mounting tires.

## ORDERING PROCEDURE

**All orders must be mailed or faxed to Billet Specialties** 1 (708) 588-7181 with a purchase order and the name of the person placing the order. A Billet Specialties representative will sign and confirm the order via return fax. If you do not receive confirmation of your order, **do not re-fax the order**; contact Billet Specialties 1 (708) 588-0505 by phone. All orders must include year, make, and model of the vehicle, wheel size and backspacing, bolt circle, and wheel style desired. Any modifications, especially brakes, spindles, or suspension made to the vehicle must be considered for the fitment before ordering wheels and must be noted on the order. Vehicle measuring forms can be downloaded from [www.billetpecialties.com](http://www.billetpecialties.com) or faxed upon request. Billet Specialties is not responsible for fitments or measurements supplied by the customer. Billet Specialties may require a non-refundable 50% down payment or 100% pre-payment on orders for non-recommended fitments or one of a kind vehicle applications.

## CANCELLED ORDERS

All cancellations must be faxed to Billet Specialties Inc. including original purchase order number and signed by your company representative. Any orders over 48 hours old or processed through machining operations cannot be cancelled without a 25% restocking charge. Cancellation of prepaid orders will result in forfeiture of all deposits.

## WARRANTY FOR GENERAL WHEEL LINES

All Billet Specialties wheels are warranted to the original owner for three (3) years from date of purchase for defects in material and/or workmanship under normal and intended use. Billet Specialties agrees to repair or replace Billet Specialties brand wheels, at the sole discretion of Billet Specialties Inc. Billet Specialties is not responsible for finish problems due to neglect by the customer. Wheels that have been determined to have been damaged by a tire-mounting machine will be repaired at the customer's expense. Transfer of title of any Billet Specialties products by the original owner voids the warranty. Billet Specialties is not responsible for damage to vehicle or labor costs incurred as a result of failure of warranted items. Billet Specialties warranty is limited to the purchase price of the product. Product will only be inspected for warranty by Billet Specialties, Inc. *Any wheel returned for warranty inspection must be accompanied by a copy of your receipt.* **Warranty claims will not be approved until Billet Specialties, Inc. inspects the product.**

**Do not mount tires with a sidewall height of more than 8" on a Billet Specialties wheel. Billet Specialties considers this application unsafe on a two-piece wheel. Warranty is void on wheels when the recommended tire size is exceeded.**

## WARRANTY FOR COMP SERIES WHEELS

Racing is a dangerous and sometimes violent sport. Because of this fact, Billet Specialties Comp Series wheels have no structural or finish warranty expressed or implied. Billet Specialties Inc. warrants that all of its Billet Specialties Comp wheels & wheel components are free from defects in materials and workmanship for a period of 30 days from the date of original purchase. Billet Specialties is not responsible for damage to vehicle or labor costs incurred as a result of failure of warranted items. Billet Specialties warranty is limited to the purchase price of the product. For complete product warranty, limits and exclusions visit [www.billetpecialties.com](http://www.billetpecialties.com) and click on the Comp Series for details or call 1-866-317-5940 and we will fax it to you.

A complete warranty card is shipped with each Comp Series wheel.

## IMPORTANT

All defect returns will be reviewed by quality control personnel and any defects or damage not found to be the responsibility of Billet Specialties Inc. will be rejected and returned to the sender at their expense.

### Defects in finish will not be warranted if:

- A: Damage occurred during the mounting
- B: Damage to finish is due to improper care, use of caustic materials for cleaning or neglect
- C: The wheel was sold as a "second" or "blemished" product
- D: The wheel was sold for display purpose
- E: A tire with a sidewall height of more than 8" was mounted to the wheel

## WARNING

### For ABS Equipped Vehicles

Always ensure that the size for replacement wheel and tire combinations is within +2% or -3% of the original tire diameter for your vehicle. If it is larger or smaller, you may have to modify the anti-lock brake system (ABS) computer or brake failure may occur.

## NOTE

Most low profile tires do not offer the same sidewall protection as standard profile tires that may have been original equipment on your vehicle. Low profile tires can increase cornering and stability but can also decrease ride quality and rim protection. The chance of damage to the rim from road hazards will increase with the use of low profile tires.



# WHEEL ORDER FORM

Fill out all information areas including a P.O. #  
Sign and fax to Billet Specialties @ 1 (708) 588-7181

Date: \_\_\_\_\_ P.O. #: \_\_\_\_\_ Ordered By: \_\_\_\_\_

**Bill To:**

Customer # \_\_\_\_\_

Name \_\_\_\_\_

Address \_\_\_\_\_

City \_\_\_\_\_

State \_\_\_\_\_ Zip \_\_\_\_\_

Phone \_\_\_\_\_

Fax \_\_\_\_\_

**Ship To:**

Name \_\_\_\_\_

C/O \_\_\_\_\_

Address \_\_\_\_\_

City \_\_\_\_\_

State \_\_\_\_\_ Zip \_\_\_\_\_

Phone \_\_\_\_\_

**Vehicle Information**

Year \_\_\_\_\_

Make \_\_\_\_\_

Model \_\_\_\_\_

Caliper Clearance \_\_\_\_\_

2WD  4WD

Suspension / Brake Modifications: \_\_\_\_\_  
 \_\_\_\_\_  
 \_\_\_\_\_  
 \_\_\_\_\_

**Wheel Information**

QTY	STYLE	SIZE	BACKSPACE	BOLT CIRCLE	PRICE (EA.)

**Wheel Accessories & Additional Services**

QTY	PART NUMBER	DESCRIPTION	PRICE

- \* All wheel orders must be faxed to Billet Specialties, a confirmation will be faxed back within 24 hours.
- \* If you do not receive an order confirmation call immediately, 1 (708) 588-0505. DO NOT RE-FAX ORDER.
- \* All drop ship orders require a signature for proof of delivery. No Exceptions.
- \* This order can not be cancelled after 48 hours of being placed.
- \* This order can not be returned under any circumstances after tires have been mounted.
  - It is the responsibility of the dealer and the customer to inspect and fit check special order wheels prior to mounting tires.
- We suggest that all special orders require a non-refundable down payment by the dealer.
- Vehicle measuring forms can be downloaded from [billetspecialties.com](http://billetspecialties.com) or faxed upon request.

Subtotal	_____
Tax (IL 9.25%)	_____
Freight	_____
<b>Grand Total</b>	_____

I have read and agree to the Terms & Conditions on page 43 of the 2009 Billet Specialties Jobber Price Schedule. \_\_\_\_\_

INITIAL HERE

Purchasing Agent Signature \_\_\_\_\_

Wheel Order Fax Number 1 (708) 588-7181